

CONNETTORI PER SENSORI CONNECTORS FOR SENSORS

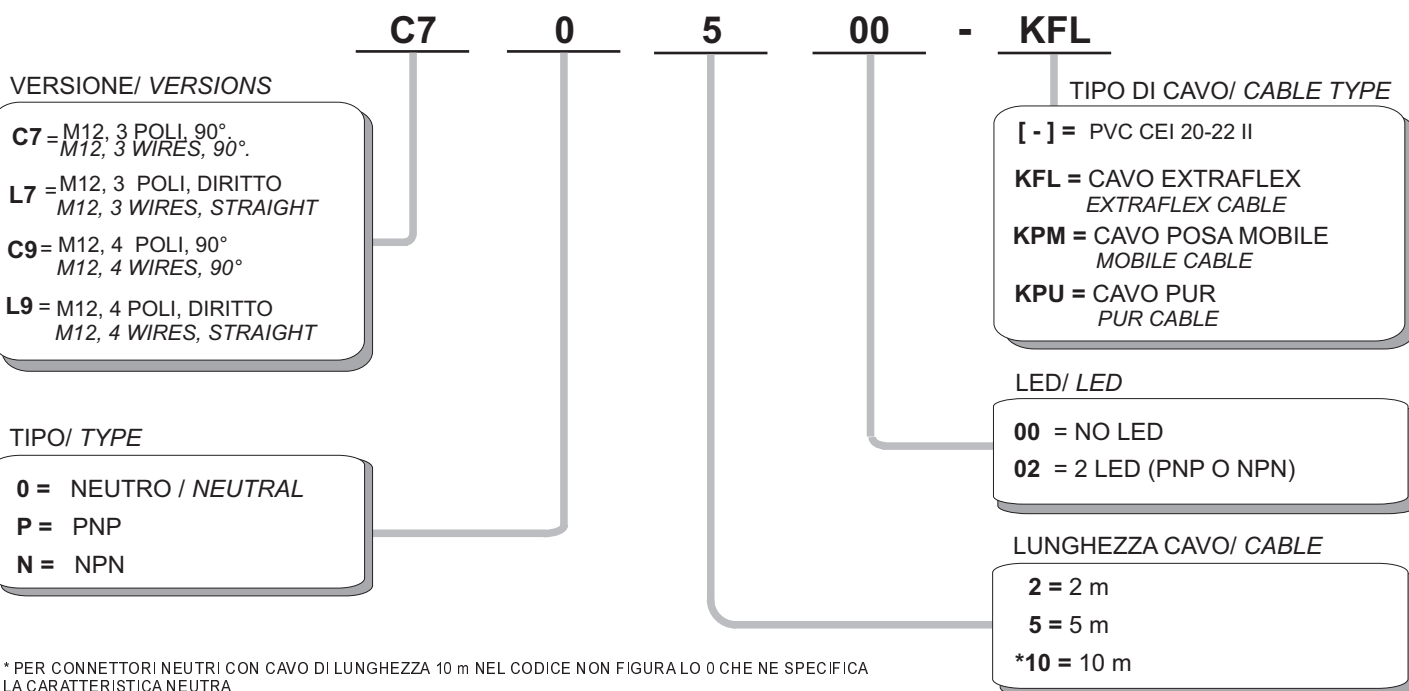


- ⇒ AMPIA GAMMA DI CONNETTORI M12 PER SENSORI: NEUTRI, CON LED DI SEGNALE
- ⇒ VERSIONI DIRITTE E A 90°, 3 E 4 POLI.
- ⇒ CAVI CEI 20-22 II, PER POSA FISSA, CAVI PER POSA MOBILE, CAVI IN PUR, CAVI IN EXTRAFLEX.

- ⇒ WIDE RANGE OF M12 CONNECTORS FOR SENSORS: NEUTRAL, WITH INDICATOR LEDS, STRAIGHT AND ANGLED VERSION, WITH 3 OR 4 WIRES CABLE,
- ⇒ WITH PVC, CEI 20-22 II, CABLE MOBILE, PUR TYPE, CABLES EXTRAFLEX.

COME ORDINARE

HOW TO ORDER



* PER CONNETTORI NEUTRI CON CAVO DI LUNGHEZZA 10 m NEL CODICE NON FIGURALO 0 CHE NE SPECIFICA LA CARATTERISTICA NEUTRA.

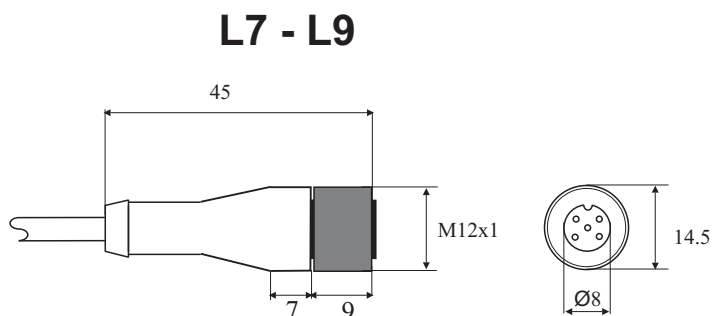
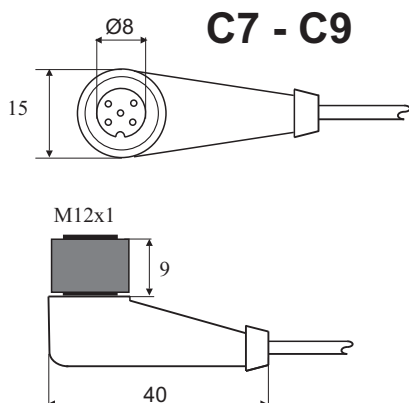
Es. C71002KFL

* FOR NEUTRAL CONNECTORS WITH A 10m LENGTH CABLE, THE CODE HAS NOT THE 0 (ZERO) INDICATING THE NEUTRAL TYPE.

Ex. C71002KFL

DIMENSIONI MECCANICHE

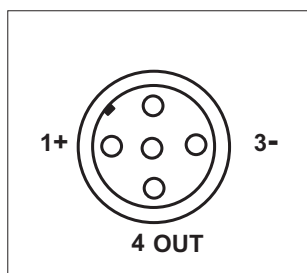
MECHANICAL SIZE



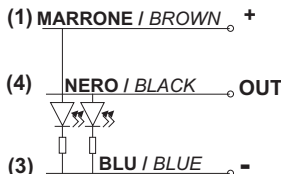
		C7 - L7 (3 FILI / 3 WIRES)				C9 - L9 (4 FILI / 4 WIRES)			
CORRENTE NOMINALE NOMINAL CURRENT		4 A				4 A			
TENSIONE NOMINALE NOMINAL VOLTAGE		250 Vca (Senza Led) / 30 Vcc (Con Led) 250 Vac (Without Led) / 30 Vdc (With Led)				250 Vca (Senza Led) / 30 Vcc (Con Led) 250 Vac (Without Led) / 30 Vdc (With Led) 250 V			
CONTATTI CONTACTS		Cu Sn				Cu Sn			
CAVO CABLE		CEI 20-22 II				CEI 20-22 II			
SEZIONE CONDUTTORI WIRE SECTION		3 x 0,35 mm ²				4 x 0,35 mm ²			
DIAMETRO ESTERNO CAVO EXTERNAL CABLE DIAMETER		Ø 4,7 mm ²				Ø 4,7 mm ²			
GRADO DI PROTEZIONE IP RATING		IP67				IP67			
TEMPERATURA DI LAVORO OPERATING TEMPERATURE		-20°C ÷ +70°C		-20°C ÷ +100°C		-20°C ÷ +70°C		-20°C ÷ +100°C	
		PVC CEI 20-22 II	EXTRAFLEX	POSA MOBILE	PUR	PVC CEI 20-22 II	EXTRAFLEX	POSA MOBILE	PUR
90°	Senza Led 2m di cavo Without Led 2m cable	C70200	C70200-KFL	C70200-KPM	C70200-KPU	C90200	C90200-KFL	C90200-KPM	C90200-KPU
	Senza Led 5m di cavo Without Led 5m cable	C70500	C70500-KFL	C70500-KPM	C70500-KPU	C90500	C90500-KFL	C90500-KPM	C90500-KPU
	Senza Led 10m di cavo Without Led 10m cable	C71000	C71000-KFL	C71000-KPM	C71000-KPU	C91000	C91000-KFL	C91000-KPM	C91000-KPU
	PNP 2 Led 2m di cavo PNP 2 Led 2m cable	C7P202	C7P202-KFL	C7P202-KPM	C7P202-KPU	C9P202	C9P202-KFL	C9P202-KPM	C9P202-KPU
	PNP 2 Led 5m di cavo PNP 2 Led 5m cable	C7P502	C7P502-KFL	C7P502-KPM	C7P502-KPU	C9P502	C9P502-KFL	C9P502-KPM	C9P502-KPU
	PNP 2 Led 10m di cavo PNP 2 Led 10m cable	C7P1002	C7P1002-KFL	C7P1002-KPM	C7P1002-KPU	C9P1002	C9P1002-KFL	C9P1002-KPM	C9P1002-KPU
	NPN 2 Led 2m di cavo NPN 2 Led 2m cable	C7N202	C7N202-KFL	C7N202-KPM	C7N202-KPU	C9N202	C9N202-KFL	C9N202-KPM	C9N202-KPU
	NPN 2 Led 5m di cavo NPN 2 Led 5m cable	C7N502	C7N502-KFL	C7N502-KPM	C7N502-KPU	C9N502	C9N502-KFL	C9N502-KPM	C9N502-KPU
NPN 2 Led 10m di cavo NPN 2 Led 10m cable	C7N1002	C7N1002-KFL	C7N1002-KPM	C7N1002-KPU	C9N1002	C9N1002-KFL	C9N1002-KPM	C9N1002-KPU	
DIRITTI / STRAIGHT	Senza Led 2m di cavo Without Led 2m cable	L70200	L70200-KFL	L70200-KPM	L70200-KPU	L90200	L90200-KFL	L90200-KPM	L90200-KPU
	Senza Led 5m di cavo Without Led 5m cable	L70500	L70500-KFL	L70500-KPM	L70500-KPU	L90500	L90500-KFL	L90500-KPM	L90500-KPU
	Senza Led 10m di cavo Without Led 10m cable	L71000	L71000-KFL	L71000-KPM	L71000-KPU	L91000	L91000-KFL	L91000-KPM	L91000-KPU

CONNESSIONI
CONNECTIONS
**C7 - L7
3 FILI / 3 WIRES**

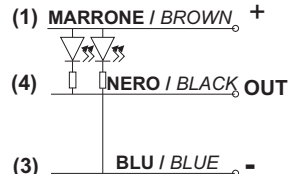
- (1) **MARRONE / BROWN** + / \sim
- (4) **NERO / BLACK** . OUT
- (3) **BLU / BLUE** . - / \sim


**C7
3 FILI / 3 WIRES
PNP 2 LED**

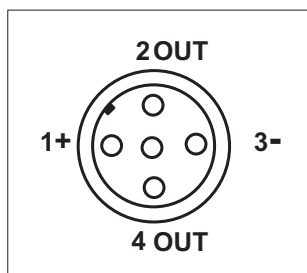
- (1) **MARRONE / BROWN** . +
- (4) **NERO / BLACK** . OUT
- (3) **BLU / BLUE** . -


**C7
3 FILI / 3 WIRES
NPN 2 LED**

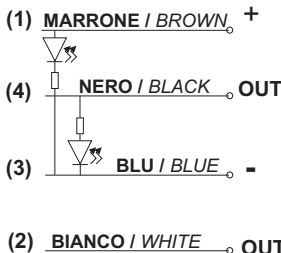
- (1) **MARRONE / BROWN** . +
- (4) **NERO / BLACK** . OUT
- (3) **BLU / BLUE** . -


**C9 - L9
4 FILI / 4 WIRES**

- (1) **MARRONE / BROWN** . +
- (2) **BIANCO / WHITE** . OUT
- (3) **BLU / BLUE** . -
- (4) **NERO / BLACK** . OUT


**C9
4 FILI / 4 WIRES
PNP 2 LED**

- (1) **MARRONE / BROWN** . +
- (4) **NERO / BLACK** . OUT
- (3) **BLU / BLUE** . -
- (2) **BIANCO / WHITE** . OUT


**C9
4 FILI / 4 WIRES
NPN 2 LED**

- (1) **MARRONE / BROWN** . +
- (4) **NERO / BLACK** . OUT
- (2) **BIANCO / WHITE** . OUT
- (3) **BLU / BLUE** . -

